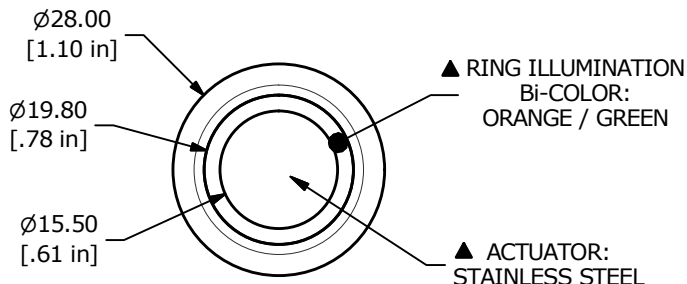
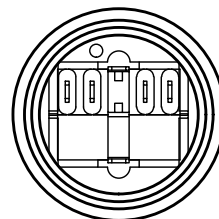
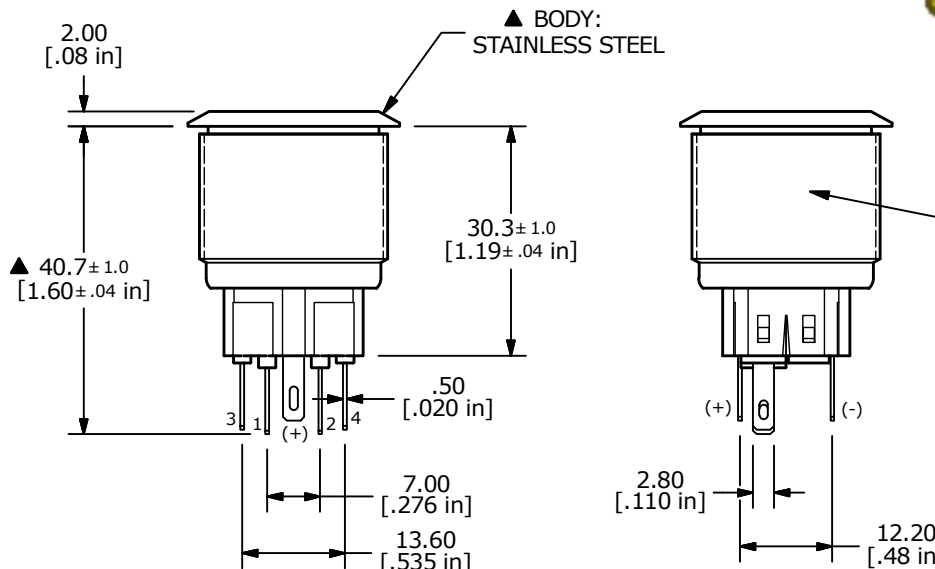
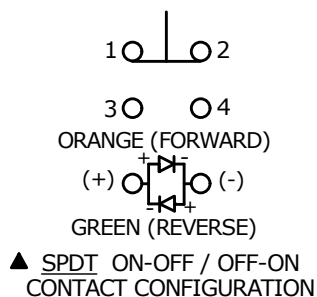


PANEL CUTOUT  
MAX. PANEL THICKNESS 10mm



▲ SWITCH FUNCTION

POS. 1	POS. 2
1-2 ON 3-4 OFF	1-2 OFF 3-4 ON



- NOTE:
1. ALL DIMENSIONS IN MM [INCH]
  2. GENERAL TOLERANCE: X.X = ± 0.4  
X.XX = ± 0.25
  3. TERMINAL NUMBERS FOR REF. ONLY
  - ▲ 4. RATING: 2A @ 48VDC
  5. CONTACT RESISTANCE: 50mΩ MAX. @ 1A 12VDC
  6. INSULATION RESISTANCE: 1,000MΩ @ 500VDC
  7. DIELECTRIC STRENGTH: 2,000VAC MIN. FOR 1 MINUTE
  8. ELECTRICAL LIFE: 50,000 CYCLES
  9. OPERATING TEMPERATURE: -20°C to 55°C
  10. INGRESS PROTECTION: IP65
  11. SUPPLIED HARDWARE: O-RING AND HEXNUT
  12. ▲ DENOTES CRITICAL PARAMETER
  - ▲ 13. ILLUMINATION VOLTAGE: 1.8V (FORWARD) ORANGE  
2.8V (REVERSE) GREEN



A	23984	RELEASE	8/7/19	MW
REV	PCR NO	DESCRIPTION	DATE	BY

TITLE PV8F2T0SS-3K1				
SCALE 1:1	DATE 8/7/2019	DR MW	DWG 52-PV8F2T0SS3K1	REV A

THE INFORMATION CONTAINED IN THIS DOCUMENT IS PROPRIETARY TO E-SWITCH AND IS NOT TO BE COPIED OR TRANSFERRED